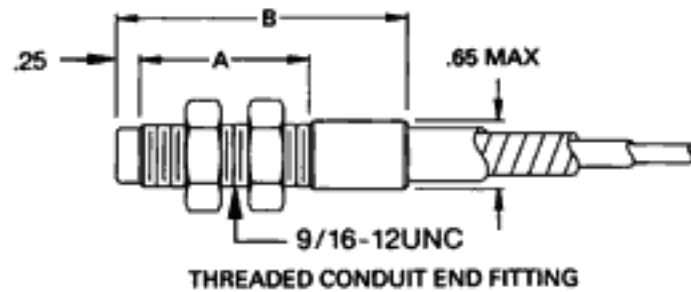
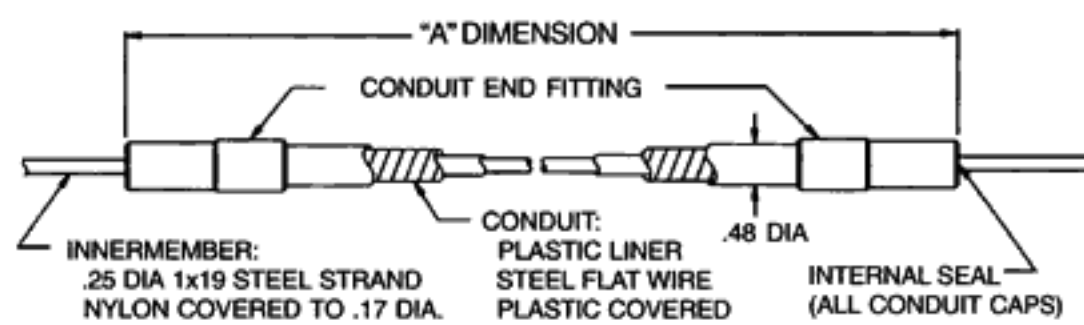


1500 Pound Series with Lined Conduit

Ultimate load: 1500 lbs

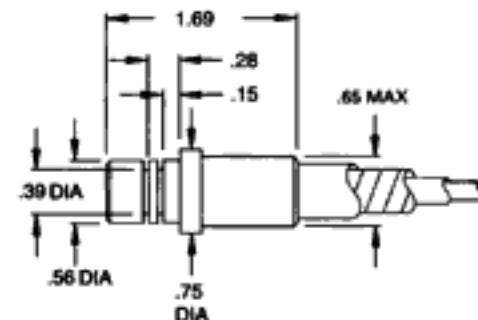
Minimum bend radius: 5"

See page 11 for ordering procedure.

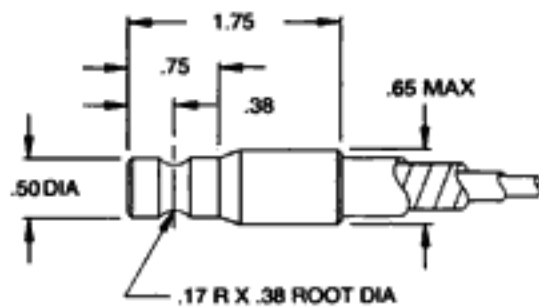


Threaded Conduit End Fitting

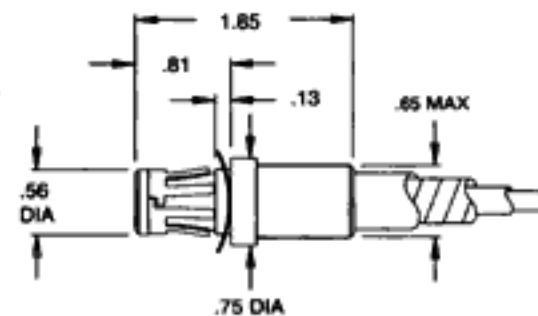
Part No.	A	B
060	1.4	2.7
061	2.1	3.4



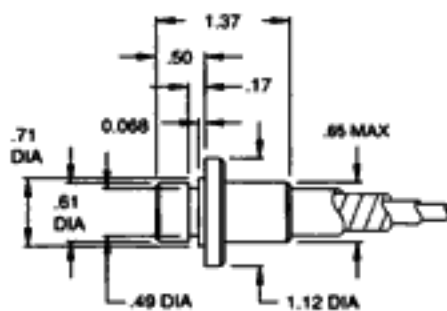
Grooved Conduit End Fitting
Part No. 064
Use E-Clip
175-435-025



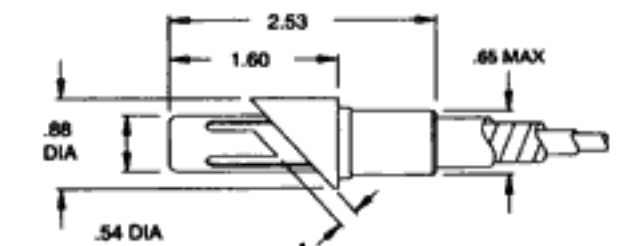
Grooved Conduit End Fitting
Part No. 062



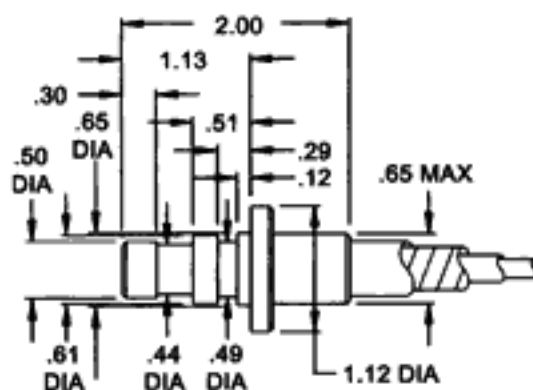
Clip-Lock Conduit End Fitting
Part No. 065
For .125 and .187 thick material.



Grooved Conduit End Fitting
Part No. 026



48° Clip-Lock Conduit End Fitting
Part No. A
066 .13
067 .20



Grooved Conduit End Fitting
Part No. 027