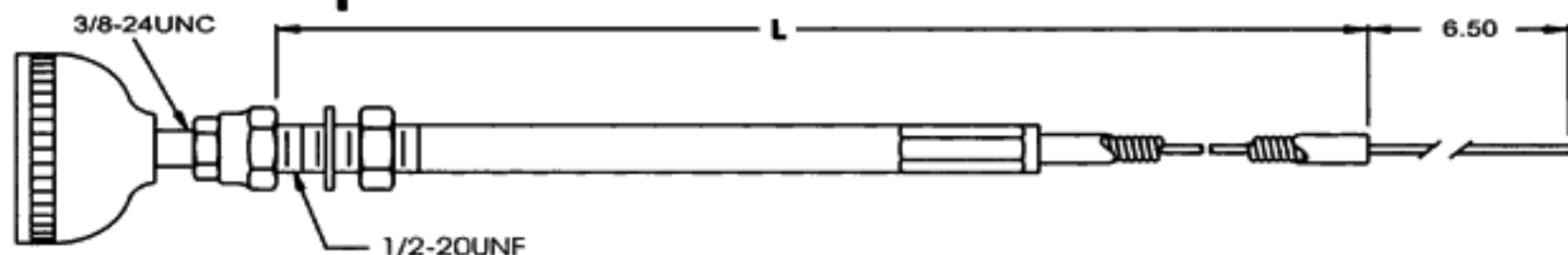


Standard Replacement PTO Control Cable



The quality replacement cable for power take-off control that equals or surpasses original equipment standards. Adaptable to mounting brackets of Muncie®, Chelsea® and similar cable-actuated PTOs.

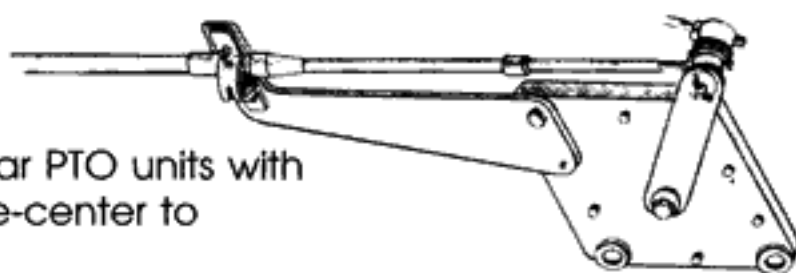
Part No. 872-507-L
(Round Wire Construction)
("L" = Length)

PTO Cable Attachment Kit

(For use with non-lock control head)

Cable and handle sold separately.

Attach your custom-built cable to Chelsea® or similar PTO units with the same mounting pattern that have a 3 inch hole-center to hole-center lever arm.



Attachment Kit

175-600-004
175-600-005

Cable Size

VLD
LD

Cable P/N

86V33-3-Length
96L33-3-Length

Handle Stem

1/4-28
5/16-18

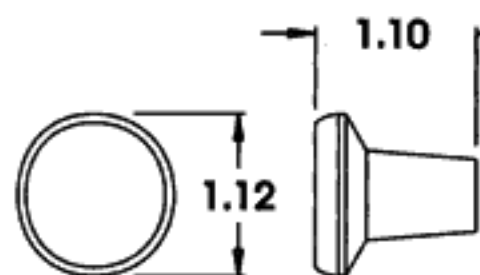
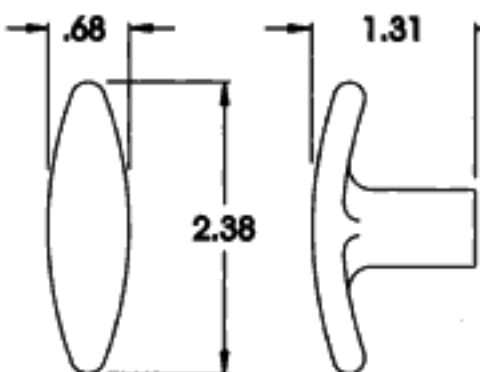
PTO Knob

165-183-001
165-183-003

Optional Knobs for Non-Lock Control Heads

Part numbers shown below are of reinforced black nylon. Specify knob in part number for all non-locking controls. (included in price)

Cast aluminum oversize T-handle (not included in price)



Inscription	Part Number Thread Size		
	1/4-20	1/4-28	5/16-18
None	005	014	013
STOP	015	016	017
SHUTOFF	002	008	018
THROTTLE	019	020	021
CHOKE	022	023	024
OPEN	025	026	027
CLOSE	028	029	030
EMER. STOP	031	032	033

Inscription	Part Number Thread Size	
	1/4-20	1/4-28
None	306	308
STOP	317	314
SHUTOFF	318	319
THROTTLE	320	321
CHOKE	309	322
OPEN	323	324
CLOSE	325	326
EMER. STOP		328

Inscription	Part Number Thread Size		
	1/4-20	1/4-28	5/16-18
None	201	202	203

